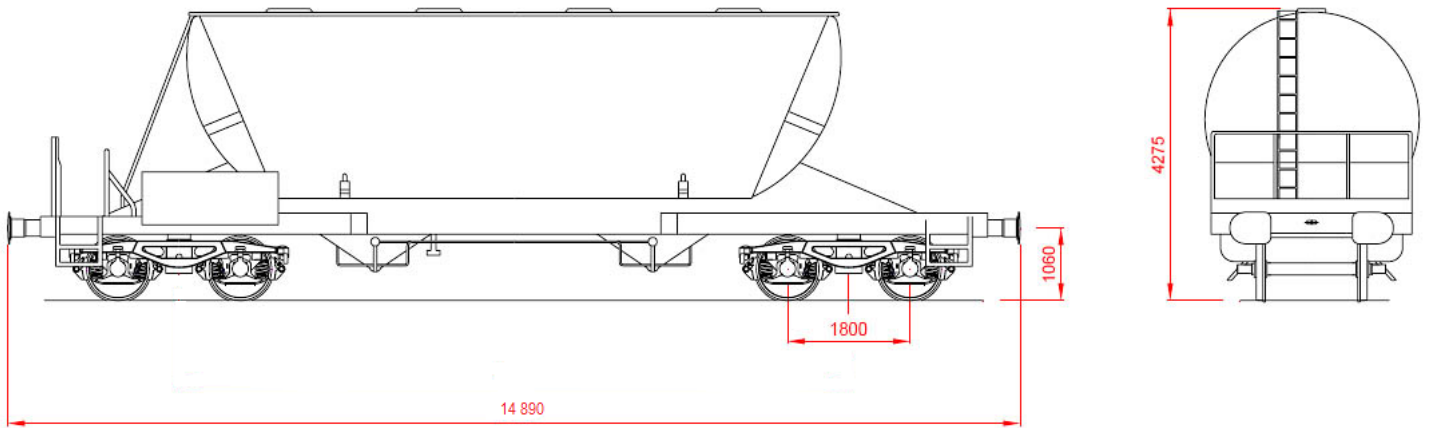


Four-axle, two-tank, Uacs railway wagon, discharge system: discharge on both side of the wagon



Technical data

Maximum length:	14 890,0 mm
Maximum width:	3 100,0 mm
Maximum height:	4 275,0 mm
Weight (ca):	23,5 tons
Load capacity (ca):	56,5 tons
Tank volume:	60 m ³
Loading hole diameter:	4 X 500 mm
Maximum working pressure:	2,5 bar
Maximum speed (loaded):	100 km/h
Maximum speed (empty):	120 km/h

Loading limits

	A	B	C
S	40,5	48,5	56,5

Capable of RIV traffic without restrictions